

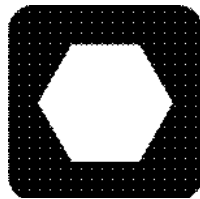
# ***Ditch Witch***<sup>®</sup>

## **SK5PAH-SK5PAL Parts Manual**


Issue: 01PL-2/12

Part Number 053-1987

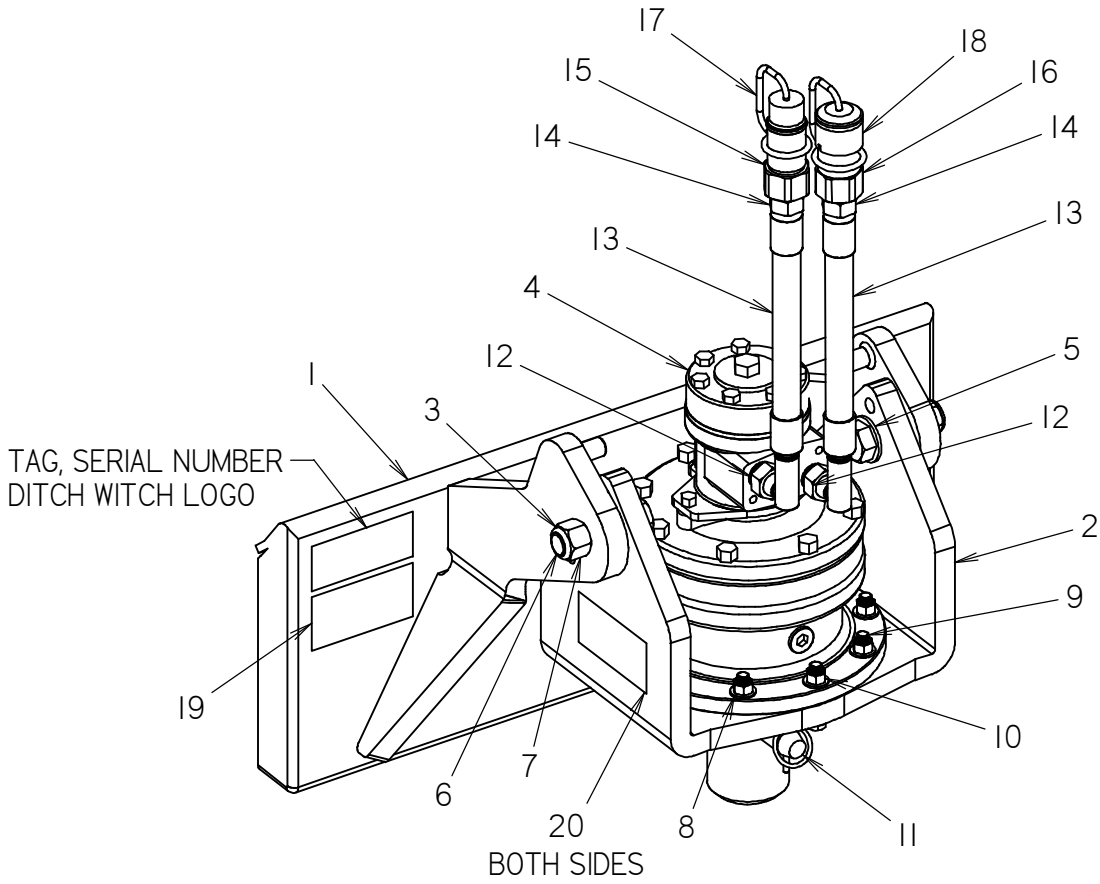
For replacement copy, contact your Ditch Witch dealer.



Copyright 2012 by The Charles Machine Works, Inc.

  **Ditch Witch**<sup>®</sup>, Ditch Witch, CMW, and Roto Witch are registered trademarks of The Charles Machine Works, Inc.

**PLANETARY AUGER DRIVER**  
 HIGH SPEED, LOW TORQUE  
 LOW SPEED, HIGH TORQUE



# PLANETARY AUGER DRIVER

## HIGH SPEED, LOW TORQUE

## LOW SPEED, HIGH TORQUE

REF NO.	PART NUMBER	QTY	DESCRIPTION	REMARKS
1.	499-672	1	BRACKET, DRIVE, (FRTD)	
2.	499-674	1	SUPPORT CHANNEL, (CAST)	
3.	499-675	4	BSHING (.75ID X 1.125OD X .94)	
4.	499-676	1	DRIVE UNIT, HYD (125-30B)	LOW SPEED - HIGH TORQUE, SEE FOOTNOTE 1, 2, & 3
	499-744	1	DRIVE UNIT, HYD (100-20B)	HIGH SPEED- LOW TORQUE, SEE FOOTNOTE 1, 2, & 3
5.	105-384	4	WASHER (3/4")	
6.	105-339	4	BOLT (3/4-NC X 2-3/4", GD8)	
7.	499-679	4	NUT, HEX LOCK ELASTIC 3/4-10 UNC	
8.	105-118	20	WASHER (3/8")	
9.	105-075	10	BOLT (3/8-NC X 2")	
10.	499-680	10	NUT, HEX LOCK ELASTIC 3/8-16 UNC	
11.	107-943	1	CLEVIS PIN SET (7/8" X 3-5/8") W/ LYNCH PIN, 3/16" x 1 9/16"	
12.	154-279	2	CONNECTOR (080-10S)	
13.	154-884	2	HOSE (080FX90-60"-3000)	
14.	154-234	2	CONNECTOR (080-12S)	
15.	159-350	1	QDC ADAPTER (08-12SF)	
16.	159-351	1	QDC BODY (08-12SF)	
17.	499-721	1	MALE DUST COVER	
18.	499-722	1	FEMALE DUST COVER	
19.	499-745	1	DECAL SAFETY SMALL	
20.	499-746	2	DECAL PINCH AREA	

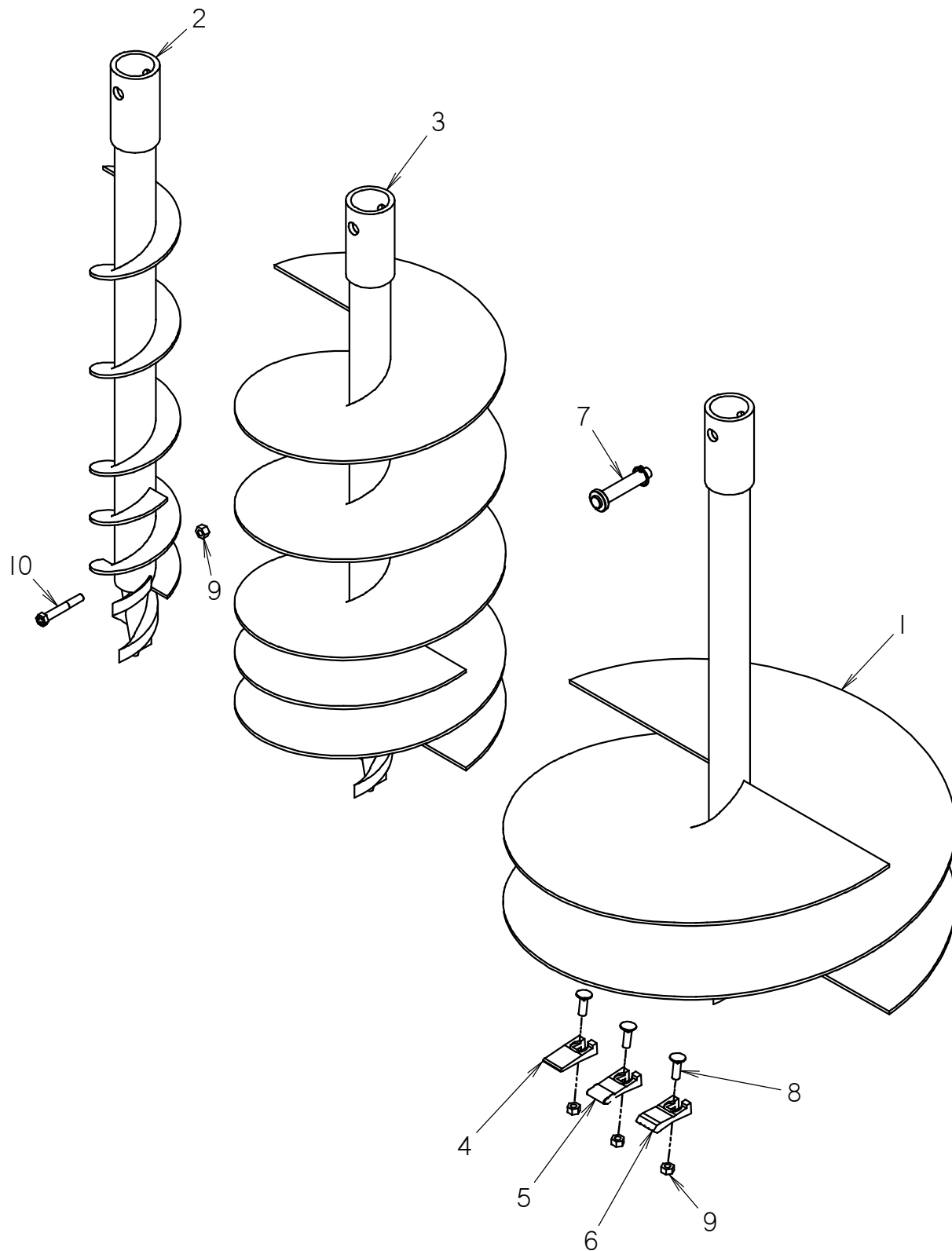
NOT SHOWN:

#### FOOTNOTES:

1. USE SEAL KIT 500-1460 FOR OLDER GEARBOX'S WITH ONLY 2 DRAIN PLUGS.
2. USE SEAL KIT 500-2019 FOR NEWER GEARBOX'S WITH 4 DRAIN PLUGS.
3. PRIMARY GEARSET 500-2121.

NOTE:

## AUGERS



# AUGERS

REF NO.	PART NUMBER	QTY	DESCRIPTION	REMARKS
1	320-337	1	AUGER 30"	
2	320-924	1	AUGER 6"	
3	320-926	1	AUGER 18"	
4	320-468	1	AUGER TOOTH, STD	
5	320-469	1	AUGER TOOTH, HHF	
6	320-470	1	AUGER TOOTH, CARBIDE	
7	107-943	1	CLEVIS PIN SET	
8	107-949	3	CARRIAGE BOLT (1/2-NCX1-1/2")	
9	105-065	4	LOCKNUT(1/2-NC)	
10	105-136	1	BOLT (1/2-NC X 3-1/2", GD8)	

## OTHER AUGERS AVAILABLE

320-336	1	AUGER 9"	
320-335	1	AUGER 12"	
320-925	1	AUGER 15"	
320-927	1	AUGER 24"	

## AUGERS EXTENTIONS

323-186	1	FOOT AUGER EXTENTION	
323-187	2	FOOT AUGER EXTENTION	
323-188	3	FOOT AUGER EXTENTION	

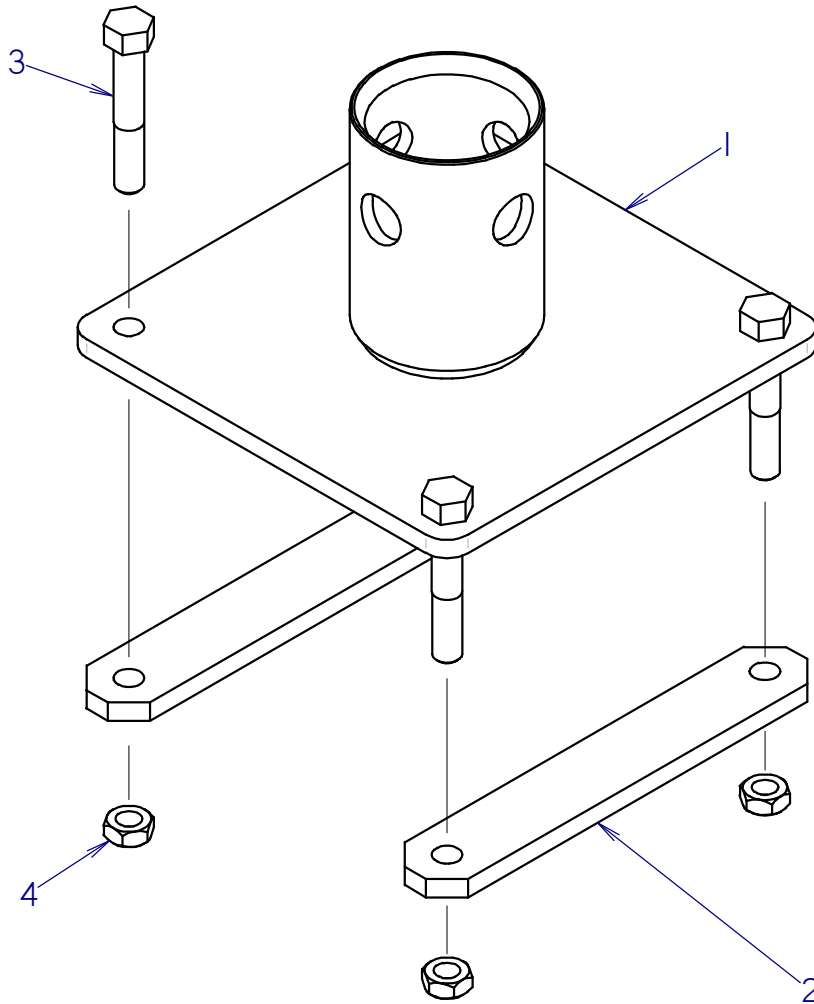
NOT SHOWN:

323-189 1 PILOT BIT

FOOTNOTES:

NOTE:

# AUGER DRIVER STAND



## AUGER DRIVER STAND

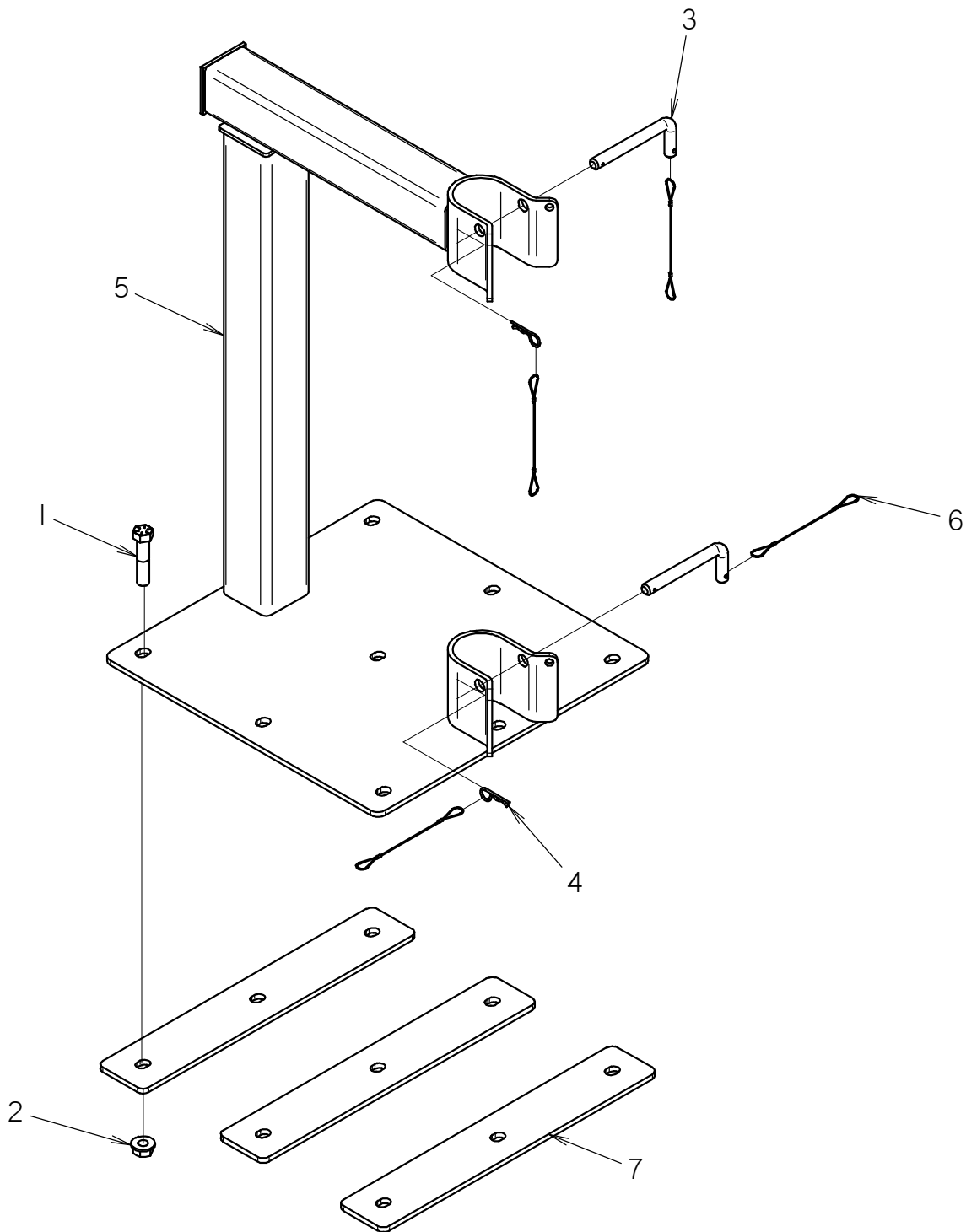
REF NO.	PART NUMBER	QTY	DESCRIPTION	REMARKS
	323-835	-	DRIVER STAND	INCLUDES REF. NO'S 1-4, SEE FOOTNOTE I
1	323-834	1	DRIVER STAND	
2	323-854	2	BASE PLATE	
3	105-076	4	BOLT (1/2-NC X 3")	
4	105-065	4	LOCKNUT (1/2-NC)	

### FOOTNOTES

- I. USE PIN IN AUGER DRIVER TO SECURE IN STAND.

NOTE:

## AUGER STAND





# AUGER STAND

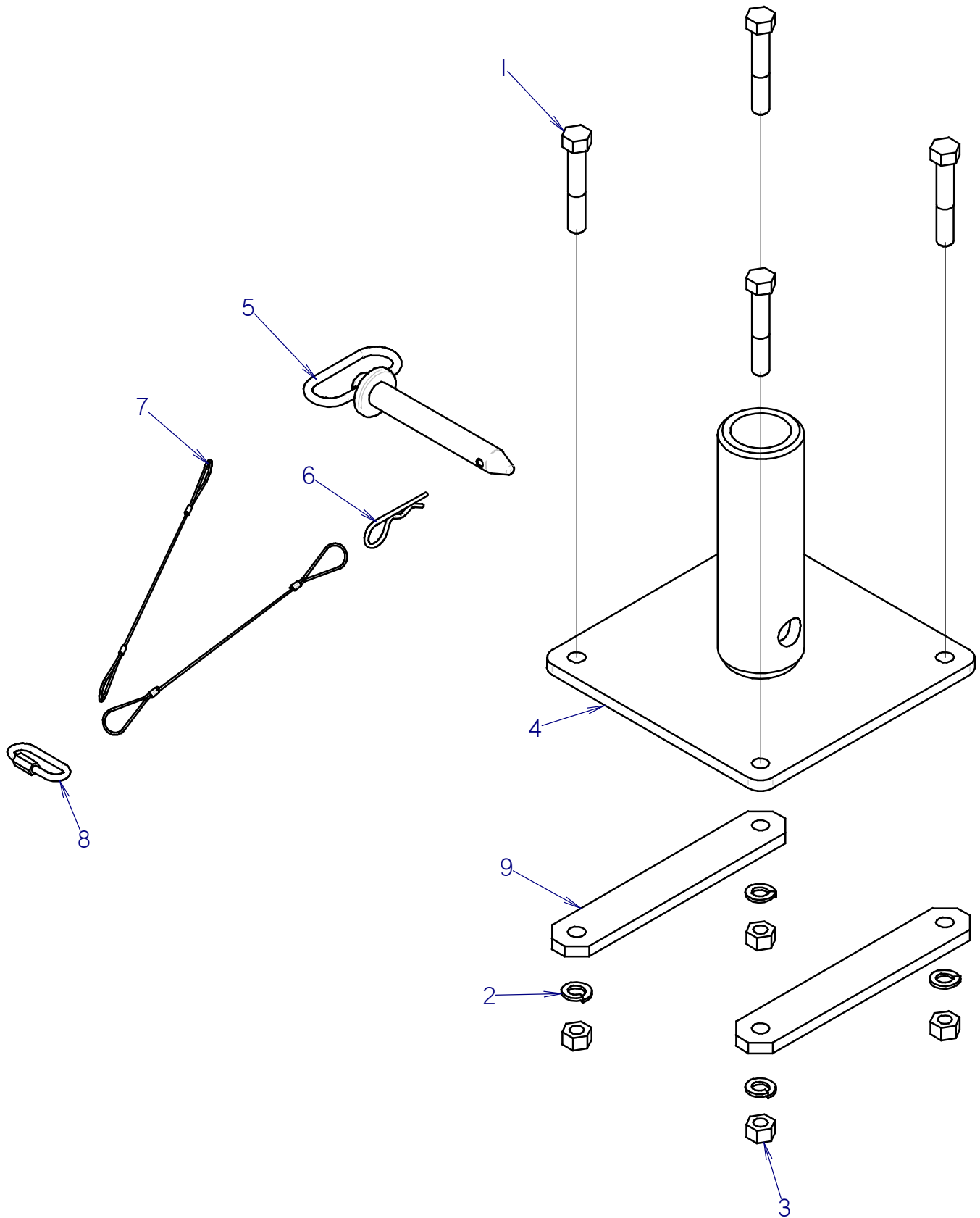
REF NO.	PART NUMBER	QTY	DESCRIPTION	REMARKS
	322-544	-	AUGER STAND	INCLUDE REF NO:S 1-6
1	105-421	10	BOLT (3/4-NC X 3-1/2")	
2	105-340	10	FLG LOCKNUT (3/4-NC)	
3	179-902	2	PIVOT LOCK PIN	
4	110-033	2	HAIR CLIP PIN (1/8" X 1/2")	
5	322-537	1	AUGER BASE WELDMENT	
6	313-759	4	LANYARD	
7	325-439	3	MOUNT PLATE	

NOT SHOWN:

FOOTNOTES:

NOTE:

# SMALL AUGER STAND



## SMALL AUGER STAND

REF NO.	PART NUMBER	QTY	DESCRIPTION	REMARKS
	323-712	-	SMALL AUGER STAND	INCL REF NO:'S 1-9
1	105-076	4	BOLT (1/2-NC X 3")	
2	105-070	4	LOCK WASHER (1/2")	
3	105-021	4	NUT(1/2-NC)	
4	323-711	1	AUGER STAND WELDMENT	
5	183-110	1	PULL PIN (3/4" X 4 1/2")	
6	110-033	1	HAIR CLIP PIN (1/8" X 1/2")	
7	313-759	2	LANYARD	
8	118-195	1	200 CONNECTING LINK	
9	323-854	2	BASE PLATE	

FOOTNOTES

NOTE: